

Equipment Room Temperature Control Relay

- Provides protection against variations of the ambient temperature (min/max) in equipment or lift rooms
- Suitable for use in Traction and Hydraulic Lift Types
- Supports an External sensor module
- LED Indication for Relay Trip & Power ON





Ordering Information

Cat. No.	Description
45A131AR	5°C to 40°C (Traction lift type), 230V AC, 1NO, External NTC two wire sensor. Base/DIN
45A231AR	5°C to 40°C (Traction lift type), 110V AC, 1NO, External NTC two wire sensor. Base/DIN
45A231ARN	5°C to 40°C (Traction lift type), 110V AC, 1NO, Without Sensor, Base/DIN
45D331AR	5°C to 40°C (Traction Lift Type), 24V DC, 1NO, External NTC two wire sensor. Base/DIN
45A131BR	15°C to 35°C (Hydraulic Lift Type), 230V AC, 1NO, External NTC two wire sensor. Base/DIN
45A231BR	15°C to 35°C (Hydraulic Lift Type), 110V AC, 1NO, External NTC two wire sensor. Base/DIN
45D331BR	15°C to 35°C (Hydraulic Lift Type), 24V DC, 1NO, External NTC two wire sensor. Base/DIN
45SP01	Accessory, NTC 2 wire sensor assembly with 2 sensors

Equipment Room Temperature Control Relay



Cat. No.	45A131AR	45A231AR	45D331AR
Parameters			
Supply Voltage (⊕)	230 VAC	110 VAC	24 VDC
Supply Variation	± 15%		
Frequency	47Hz - 63Hz		NA
Power Consumption (Max.)	10 VA	5 VA	1.2 W
Device Characteristics			
Accuracy	± 1°C		
Output Control Mode	Relay ON/OFF		
Relay ON Delay	10 sec (Fixed), ± 1sec		
Relay OFF Delay	10 sec (Fixed), ± 1sec		
Hysteresis	2°C		
Trip Level			
High Trip Level	+ 40°C		
Low Trip Level	+ 5°C		
LED Indication			
Power ON	Green LED ON		
Relay ON	Red LED ON		
Relay OFF	Red LED OFF		
Sensor Open / Short	Red LED Blinking		
Contact Ratings	Terminal 15 – Pole, Terminal 18 – NO, 8 Amp at 250VAC, 1Amp at 30VDC 3 KV Isolation between coil and contact		
Max Power Output Rating of Relay	1840 VA for AC / 30W for DC approx		
Operating Temperature	- 15° C to +60° C		
Storage Temperature	- 20° C to +70° C		
Humidity (Non Condensing)	95% (Rh)		
Enclosure	Flame Retardant UL94-V0		
Dimension (W x H x D) (in mm)	22.5 X 75 X 100.5		
Weight (unpacked)	100 g		
Mounting	Base / DIN rail		
Certification	 		
Degree of Protection	IP 20 for Terminals, IP 40 for Enclosure		

EMI / EMC

Harmonic Current Emissions	IEC 61000-3-2
ESD	IEC 61000-4-2
Radiated Susceptibility	IEC 61000-4-3
Electrical Fast Transients	IEC 61000-4-4
Surge	IEC 61000-4-5
Conducted Susceptibility	IEC 61000-4-6
Voltage Dips & Interruptions (AC)	IEC 61000-4-11
Conducted Emission	CISPR 14-1
Radiated Emission	CISPR 14-1

Environmental

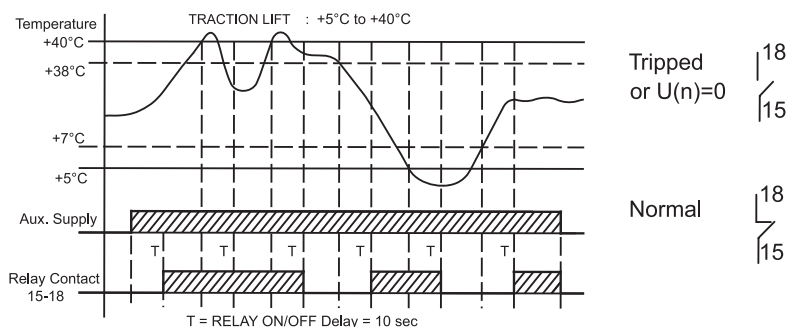
Cold Heat	IEC 60068-2-1
Dry Heat	IEC 60068-2-2
Vibration	IEC 60068-2-6
Repetitive Shock	IEC 60068-2-27
Non-Repetitive Shock	IEC 60068-2-27

Equipment Room Temperature Control Relay

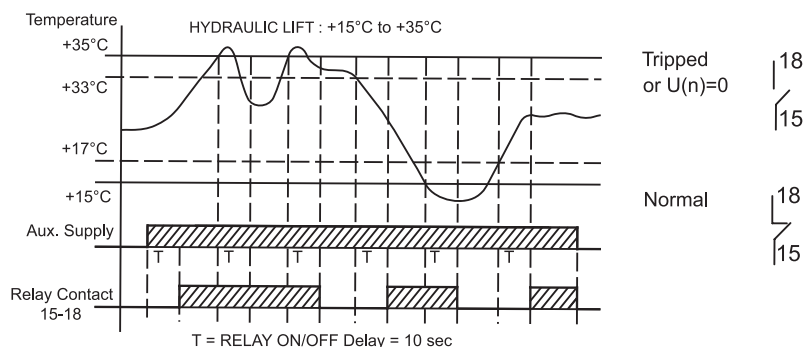


FUNCTION DIAGRAM

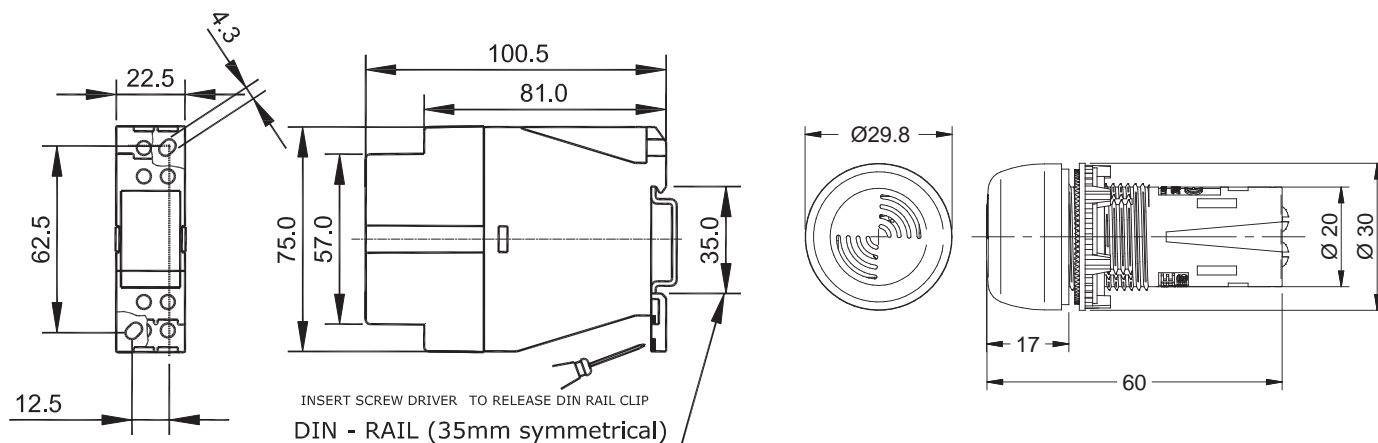
For Traction Type



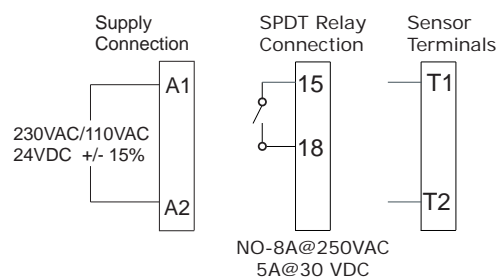
For Hydraulic Type



MOUNTING DIMENSIONS (mm)



CONNECTION DIAGRAM



TERMINAL TORQUE & CAPACITY

For 8 and 12 terminal 225

	0.6 Nm (5.3 Lb.in)
Ø3.5.....4.0mm	1 x 1...4mm ² solid wire/single wire ferrule
	2 x 0.5 ... 2.5 mm ² insulated twin type ferrule
AWG	1 x 17 to 11