

Digital Counters

- 6-digit LCD
- In-built nonvolatile memory (EEPROM) offering exceptional reliability
- Wide range of supply voltage
- Remote reset
- Available in 3 different shaped Bezels
- Low Power Consumption





Ordering Information

Cat. No.	Description
Z72FBX	85-265 VAC model
ZJ2FBX	12-48V AC/DC model
ZH2FBX	10-80V DC model
X	A=Round Bezel, B=24x48 Bezel, C=Screw Mount Bezel

Digital Counters



Cat. No.	Z72FBX	ZJ2FBX	ZH2FBX
Parameters			
Supply Voltage (≠)	85 - 265 VAC	12 - 48 VAC/DC	10 - 80 VDC
Frequency	50/60 Hz	50/60 Hz	N A
Power Consumption (Max.)	0.8 VA	0.4 W	0.6 W
Counting frequency	10Hz	10Hz	30Hz
Maximum Range	999999		
Display	Large 6-Digit display, easy to read		
Resolution	1 Count		
Reset	Electrical		
Memory Retention	100 Years		
Operating Temperature	- 10° C to +50° C		
Storage Temperature	- 20° C to +65° C		
Accuracy	± 1 Count		
Humidity (Non Condensing)	95% (Rh)		
Degree of Protection	IP54		
Enclosure	UL94-V0		
Terminals	1 & 2: Input Supply, 3: Count 4: Reset		
Panel cut outs	Round Bezel, 24 x 48 Bezel, Screw Mount Bezel		
Mounting	Flush/ Panel Mounting		
Certification	 		
Weight (unpacked)	With Round Bezel - 35g, with 24 x 48 Bezel - 29 g, with Screw Mount Bezel - 31 g		

EMI / EMC

Harmonic Current Emissions	IEC 61000-3-2
ESD	IEC 61000-4-2
Radiated Susceptibility	IEC 61000-4-3
Electrical Fast Transients	IEC 61000-4-4
Surges	IEC 61000-4-5
Conducted Susceptibility	IEC 61000-4-6
Voltage Dips & Interruptions (AC)	IEC 61000-4-11
Conducted Emission	CISPR 14-1
Radiated Emission	CISPR 14-1

Environmental

Cold Heat	IEC 60068-2-1
Dry Heat	IEC 60068-2-2
Vibration	IEC 60068-2-6
Repetitive Shock	IEC 60068-2-27
Non-Repetitive Shock	IEC 60068-2-27

Impulse Counter Series CR 26

MOUNTING DIMENSION (mm)

IMPULSE COUNTER CR 26

Resettable Counter

SXXXXA

	A=With terminal strip	B=With 22 AWG 254 mm long wire	Panel cutout dimension
1. Panel Mount - 6 Figure SXXXX-385			
2. Panel Mount - 6 Figure SXXXX-356			
3. Bail Mount - 6 Figure			
4. Base Mount - 6 Figure			
5. Optional locking for reset button			To avoid the tampering with the reset button you can seal the counter as shown in the above figure
NON RESETTABLE COUNTER- NXXXXA			
A = Counter with Terminal Strip(not applicable for Base Mounting) B = Counter with Wire (22 AWG 254 mm Long)			
<p>Note: For Non Resettable Counters, reset arm lever will not be present and all other details will be common with resettable counter.</p>			

Impulse Counter Series CR 26 (4-Digit)

MOUNTING DIMENSION (mm)

IMPULSE COUNTER CR 26 (4 FIG)

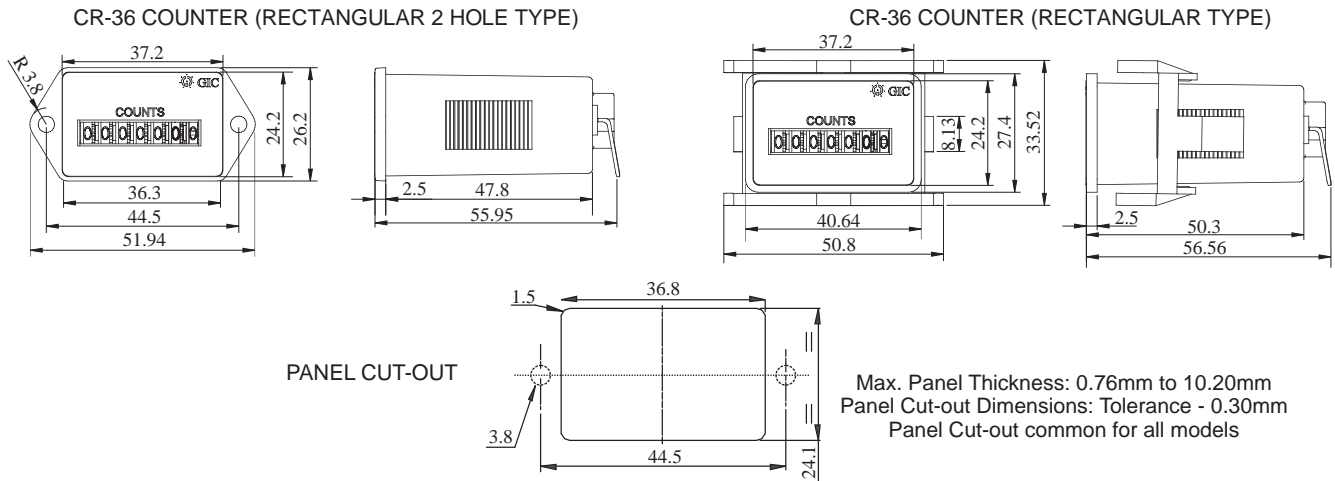
Resettable Counter
4XXXXA

	A=With terminal strip	B=With 22 AWG 254 mm long wire	Panel cutout dimension
<p>1. Panel Mount - 4 Figure 4XXXXX-356</p>			
<p>2. Bail Mount - 4 Figure 4XXXXX</p>			
<p>3. Base Mount - 4 Figure 4XXXXX</p>			
<p>4. Optional locking for reset button</p> <p>To avoid the tampering with the reset button you can seal the counter as shown in the above figure</p>			
<p>NON RESETTABLE COUNTER- NXXXXA</p> <p>A = Counter with Terminal Strip (not applicable for Base Mounting) B = Counter with Wire (22 AWG 254 mm Long)</p>			
<p>Note: For Non Resettable Counters, reset arm lever will not be present and all other details will be common with resettable counter.</p>			

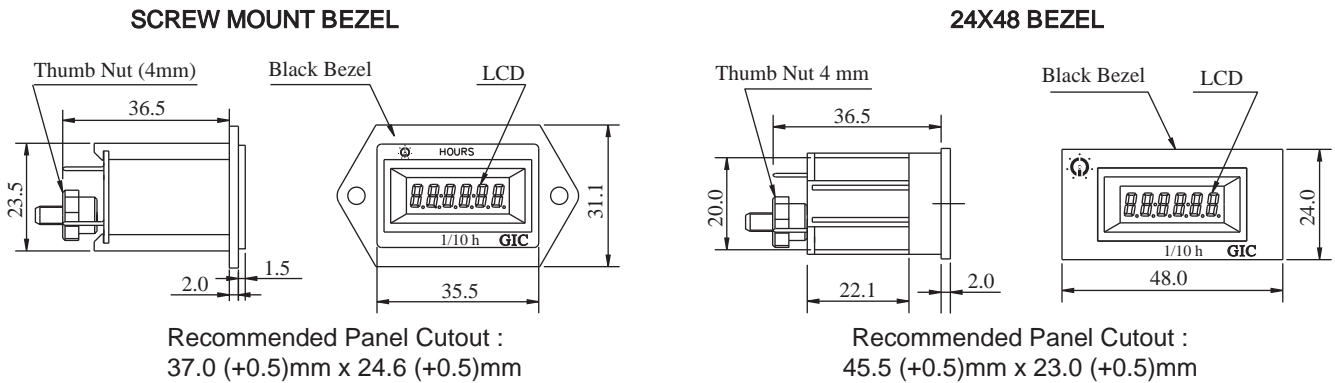
Impulse Counter Series CR 36 & Digital Counter

MOUNTING DIMENSIONS (mm)

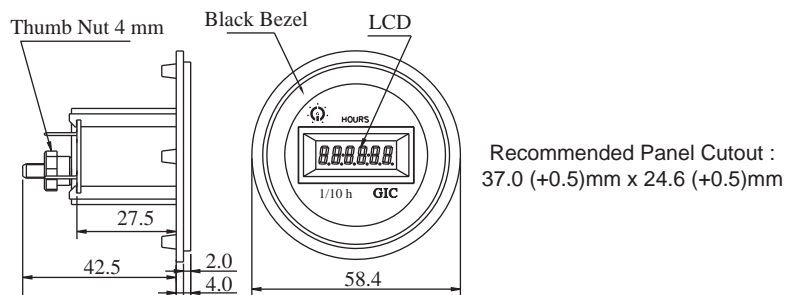
IMPULSE COUNTER CR 36



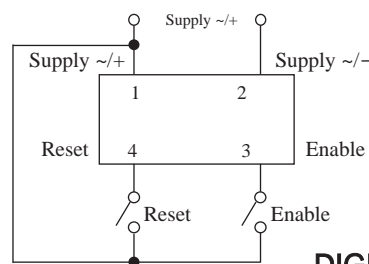
DIGITAL COUNTER



ROUND BEZEL



CONNECTION DIAGRAM



TERMINAL DESCRIPTION

- Pin 1: Supply (~ / +)
- Pin 2: Supply (~ / -)
- Pin 3: Enable
- Pin 4: Reset

DIGITAL COUNTER