

Astronomical Time Switch *Astro*[®]

- Dynamic and Accurate control based on Astronomical Mathematics
- Sunrise / Sunset or Twilight rise / set trigger
- Yearly programming with Season mode, DST, Offset, OFF hours, Weekly Off features
- Protection against Under Voltage and Over Voltage
- Alternate Mode with Auto Load Changeover feature
- Three Independent channel outputs
- Active Phase selection
- Manual override facility
- Single phase and Three phase versions
- Modbus Communication
- User friendly software for device configuration






Ordering Information

Cat. No.	Description
T2DDT0	110 - 240 VAC, Single Phase Astronomical Time Switch - Astro, 2 NO
T3DDT0	110 - 240 VAC, Three Phase Astronomical Time Switch - Astro, 3 NO
TGDDT6	Windows based Application software for Astro
GFDNN3M	Memory Card
GFDNN2S	RS 232 Serial Interface Cable
GFDNN1	USB Interface Cable

Astronomical Time Switch *Astro*[®]



Cat. No.	T2DDT0	T3DDT0
Parameters		
Supply Voltage (Φ)	110 - 240 VAC	110 - 240 VAC (3 Phase, 4 Wire)
Supply Variation	-20 % to +10% (of Φ)	
Frequency	50/60 Hz	
Programming	Based on Latitude/Longitude precise to the minute with time-zone	
Trigger Modes	Sunrise/Sunset or Twilight Rise/Set	
Offset	1 min to 10 hr 59 min (Programmable)	
OFF Hours	Programmable	
Weekly Off	User Defined	
Alternate Mode	Yes	
Seasonal Mode	User Defined	
DST	User Defined	
Number of Operating Modes	3	
Mode Description	<ul style="list-style-type: none"> • AUTO - As per user defined program settings • ON AUTO - Instant ON up to next Auto Event • AUTO OFF - Instant OFF up to next Auto Event 	
Minimum Switching Time	1 min (1s for Pulse)	
Display	Backlit LCD	
Under Voltage Trip Level	N A	0 - 220 V (Settable)
Over Voltage Trip Level	N A	130 - 330 V (Settable)
Trip Time	N A	5 - 16 sec
Recovery Time	N A	1 - 4 sec
Clock Accuracy	± 1 s/day max. over the Operating Temperature range	
Power Reserve from Factory	6 years	
Output	Relay Output	2 NO
	Contact Rating	8A @ 240 VAC & 5A @ 30 VDC (Resistive)
	Electrical Life	1x10 ⁵
	Mechanical Life	1x10 ⁷
Utilization Category	AC - 15	Rated Voltage (Ue): 120/240 V, Rated Current (Ie): 3/1.5 A
	DC - 13	Rated Voltage (Ue): 24/125/250 V, Rated Current (Ie): 2.0/0.22/0.11 A
Operating Temperature	-10°C to + 50°C	
Storage Temperature	-10°C to + 60°C	
Humidity (Non Condensing)	95% (Rh)	
Enclosure	Flame Retardant UL94-V0	
Dimension (W x H x D) (in mm)	72 X 90 X 65	
Weight (unpacked)	190 g	208 g
Mounting	Base / DIN rail	
Certification	  	
Degree of Protection	IP 20 for Terminals, IP 40 for Enclosure	

EMI / EMC

Harmonic Current Emissions	IEC 61000-3-2
ESD	IEC 61000-4-2
Radiated Susceptibility	IEC 61000-4-3
Electrical Fast Transients	IEC 61000-4-4
Surges	IEC 61000-4-5
Conducted Susceptibility	IEC 61000-4-6
Voltage Dips & Interruptions (AC)	IEC 61000-4-11
Conducted Emission	CISPR 14-1
Radiated Emission	CISPR 14-1

Environmental

Cold Heat	IEC 60068-2-1
Dry Heat	IEC 60068-2-2
Vibration	IEC 60068-2-6
Repetitive Shock	IEC 60068-2-27
Non-Repetitive Shock	IEC 60068-2-27

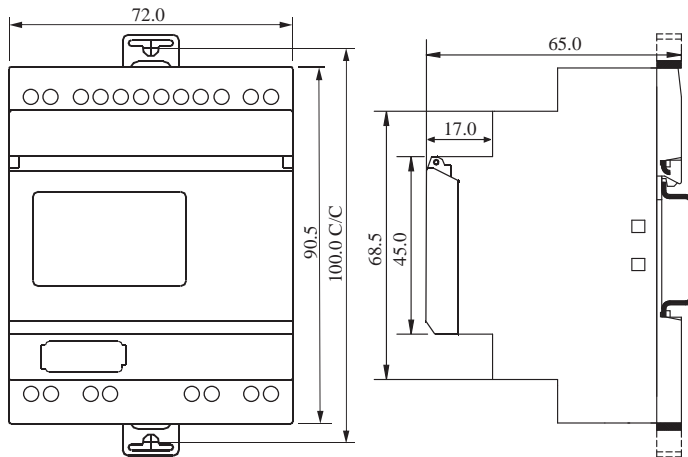
Astronomical Time Switch *Astro*[®]



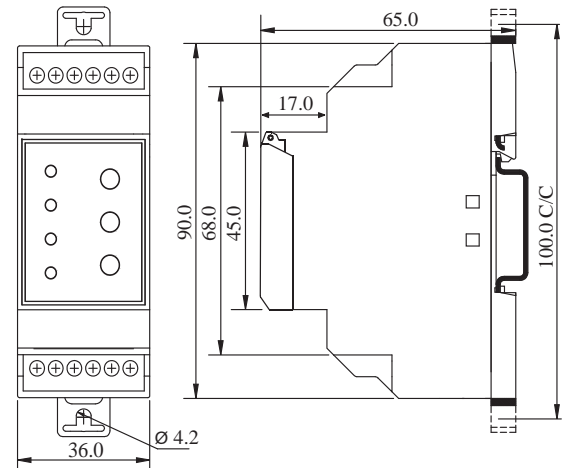
MOUNTING DIMENSION (mm)

Astro[®]

Crono[®], *Pulse* & *Astro Mini*

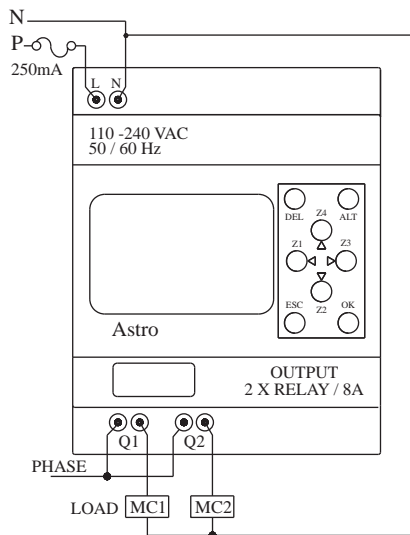


T2DDT0, T3DDT0



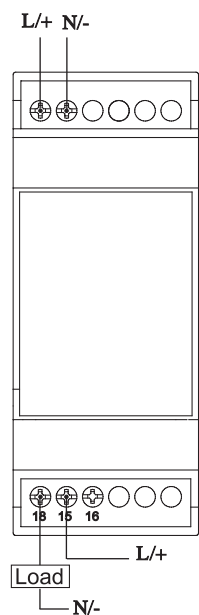
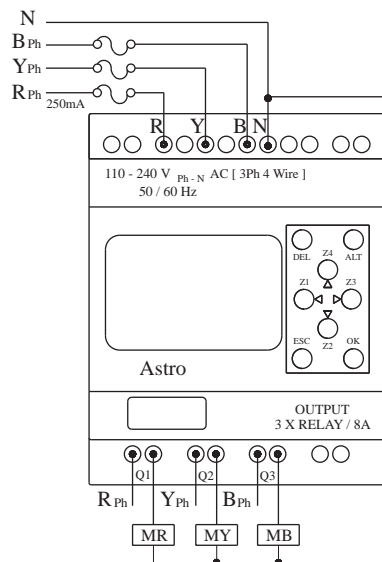
67DDT0, 67DDT9, T2DDT7, T2DDT8

CONNECTION DIAGRAM



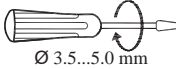

T2DDT0, T3DDT0

MC1, MC2, MR, MY, MB: CONTACTOR COILS



67DDT0, 6GHDT0, 6GHDT9, 67DDT9, 69HDT0, 69HDT9, T2DDT7, T2DDT8

TERMINAL TORQUE & CAPACITY

 Ø 3.5...5.0 mm	Torque - 0.54 N.m (5 Lb.in) Terminal screw - M3.5
	Solid Wire - 2 X 0.2...2.5 mm ²
AWG	1 X 24 to 10

T2DDT0, T3DDT0, T2DDT7, T2DDT8, 67DDT0, 67DDT9

Lighting Automation with *Astro*[®] using GSM Technology

- Most of the "ASTRO" parameters can be set remotely using SMS queries. I.e. Output mode, Offset Hrs etc, UV, OV settings.
- Relay Output can be override remotely using SMS query.
- Energy Meter Functionality. Parameter like Load current, Supply voltage, Power, Energy can be known remotely.
- With the help of "Auto Error Code Update" following onsite error can be known remotely during output event.
 - Under Voltage
 - Over Voltage
 - Over Current
 - Output actuator short.
 - Load Open





Ordering Information

Cat. No.	Description
19D2000C	Surge Suppressor
19D20B00	Astro GSM Module (GSM-ERT5), Remote Side
19A1000B	Communication Cable (TTL-TTL) between Astro & GSM Module
TGDDT6	Windows based application software for Astro

Lighting Automation with *Astro*[®] using GSM Technology



Cat. No.	19D20B00 (ERT 5)
Parameters	
Supply Voltage (ϕ)	240 VAC (3 Phase, 4 Wire)
Supply Variation	-30% to +25% (of ϕ)
Frequency	50/60 Hz
Active Phase selection	Yes
Operating Temperature	-15°C to + 60°C
GSM Type	Dual band 900 / 1800 GSM
GPRS Packet data	Class 10 coding scheme
AT cCommand set Suitability	N. A.
SMS Type Functionality	Data Call through GSM, SMS
SIM Holder	Text, Cell Broadcast
Antenna	Connected with the product
Antenna Impedance	50 Ω
Energy Measurement	Yes
Energy Measurement Accuracy	Class 0.5
Current Sensing Range	5A
CT Ratio	Settable up to 40
LED Indications	Tx, Rx, Network, Power, Pulse Out
Pulse Out rate	3200 pulses / kWh
Auxiliary Output	12 V DC, 200 mA
Mounting	Base / DIN Rail
Enclosure	Flame Retardant UL94-V0
Dimension (W x H x D) (in mm)	72 X 90 X 67
Weight (unpacked)	190 g
Certification	 

EMI / EMC

Harmonic Current Emissions	IEC 61000-3-2
ESD	IEC 61000-4-2
Radiated Susceptibility	IEC 61000-4-3
Electrical Fast Transients	IEC 61000-4-4
Surges	IEC 61000-4-5
Conducted Susceptibility	IEC 61000-4-6
Voltage Dips & Interruptions (AC)	IEC 61000-4-11
Conducted Emission	CISPR 14-1
Radiated Emission	CISPR 14-1

Environmental

Cold Heat	IEC 60068-2-1
Dry Heat	IEC 60068-2-2
Vibration	IEC 60068-2-6
Repetitive Shock	IEC 60068-2-27
Non-Repetitive Shock	IEC 60068-2-27

Note:

- ERT5 can measure maximum 5A & 1A current respectively.
- Maximum current measurement limit for ERT-5 is 200A.

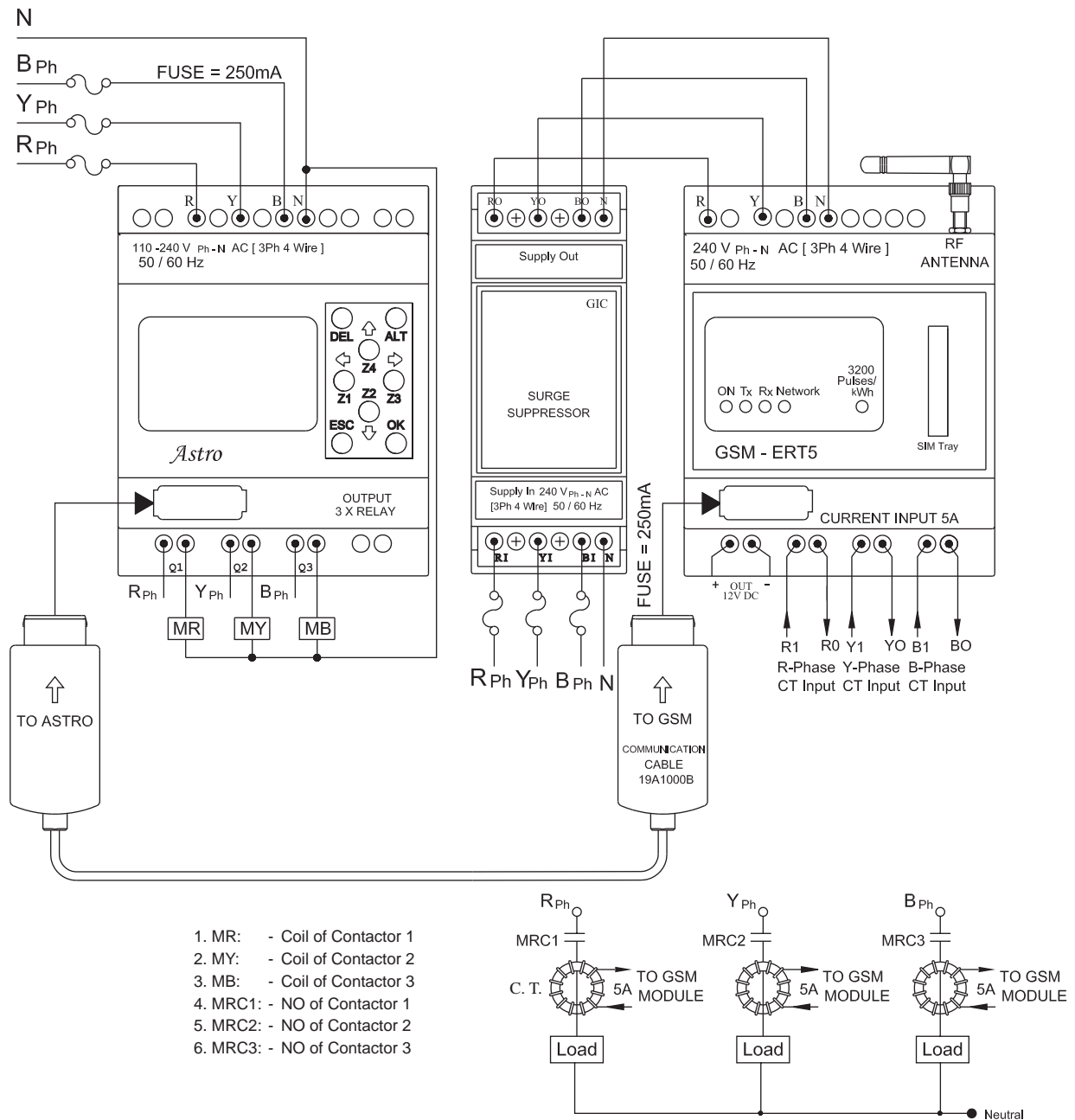
Ex: 1. For CT selection if current required to be measured is upto 200A then CT of 200:5 A (CT ratio 40) needs to be used.

Lighting Automation with *Astro*[®] using GSM Technology



- Maximum 5 valid users can access the system remotely, using GSM functionality.
- To avoid Remote module's SIM theft, "SIM PIN" facility can be enabled remotely using SMS query.
- To avoid changes in system configuration by unauthorized user amongst valid users, important SMS queries are provided with "MODULE PIN" lock.
- Device supports for 12 to 14 digit mobile number. i.e. (10 Digit Mobile number + 2/3/4 digit country code).

CONNECTION DIAGRAM



TERMINAL TORQUE & CAPACITY

	Torque - 0.54 N.m (5 Lb.in) Terminal screw - M3.5
	Solid Wire - 2 X 0.2...2.5 mm ²
AWG	1 X 24 to 10